



Before starting installation, review this document to ensure that all parts and hardware are included in the package.

In the event that parts are missing, please contact MASTERACK at 1-800-222-8785 to re-order missing parts.

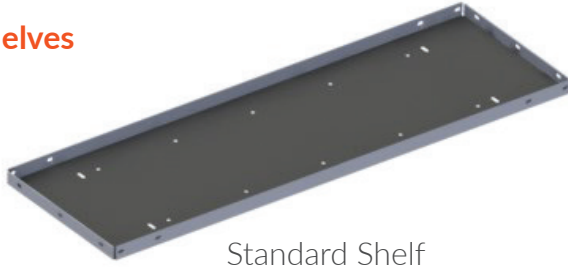
Steel Shelving Assembly Instructions



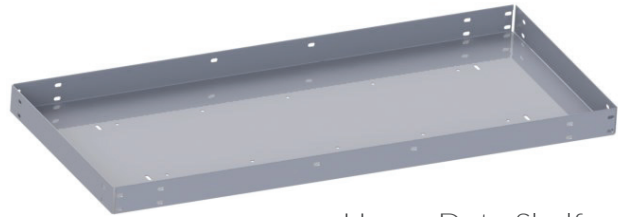
MASTERACK.COM

MASTERACK Headquarters
2400 Mellon Court
Decatur, GA 30035
800-222-8785

■ Steel Shelves



Standard Shelf



Heavy Duty Shelf

■ Recommended Tools



Air or Hand Ratchet

7/16\"

Torque Wrench

7/16\"

■ Hardware



1/4-20 x 3/4

Hex Head Screw



1/4-20

E-Stop Nut

■ Shelf Dimensions

Standard Shelves

Shelf Dimensions	Part Number
13"W x 12"D	021377KP
19"W x 12"D	021378KP
25"W x 12"D	021379KP
31"W x 12"D	021380KP
37"W x 12"D	021381KP
43"W x 12"D	021382KP
19"W x 16"D	025153KP
25"W x 16"D	022816KP
31"W x 16"D	022398KP
37"W x 16"D	022397KP
43"W x 16"D	022396KP

Heavy Duty Shelves

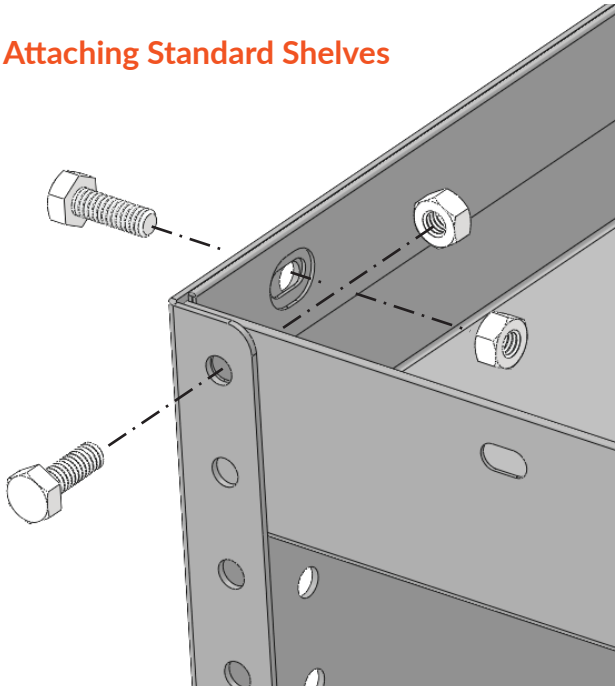
Shelf Dimensions	Part Number
37"W x 12"D	025313KP
43"W x 12"D	025314KP
51"W x 12"D	025572KP
37"W x 16"D	025315KP
43"W x 16"D	025316KP
51"W x 16"D	025571KP
37"W x 22"D	025319KP
43"W x 22"D	025326KP
51"W x 22"D	027483KP



Before starting installation, review this document to ensure that all parts and hardware are included in the package.

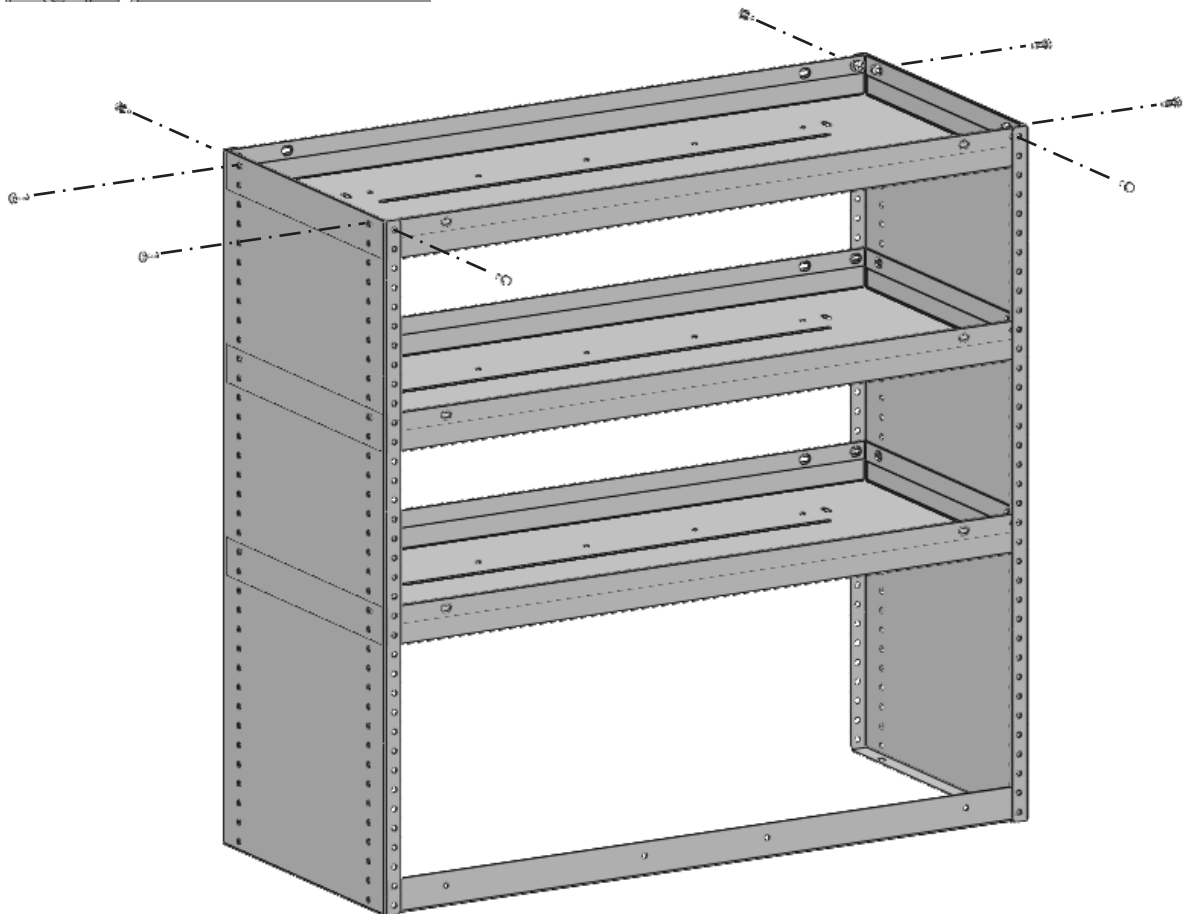
In the event that parts are missing, please contact MASTERACK at 1-800-222-8785 to re-order missing parts.

■ **Attaching Standard Shelves**

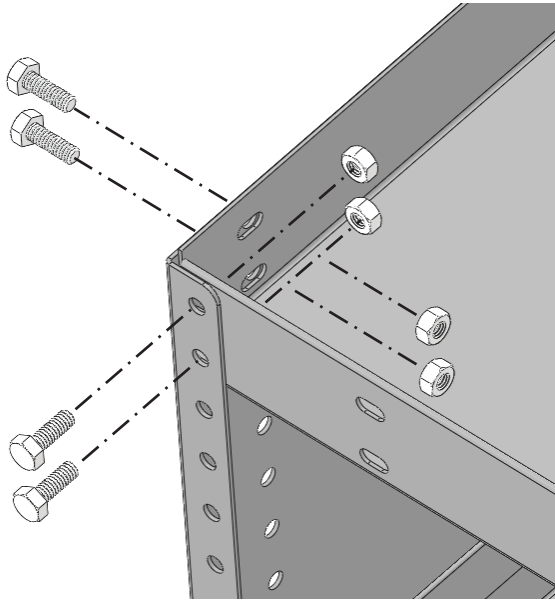


Position Shelf at desired hole location as shown and secure to Uprights using:
(8) 1/4-20 x 3/4 Hex Head Screws
(8) 1/4-20 E-Stop Nuts

TORQUE SETTING: Size - 1/4 = 7 - 9.5 Ft. Lbs.

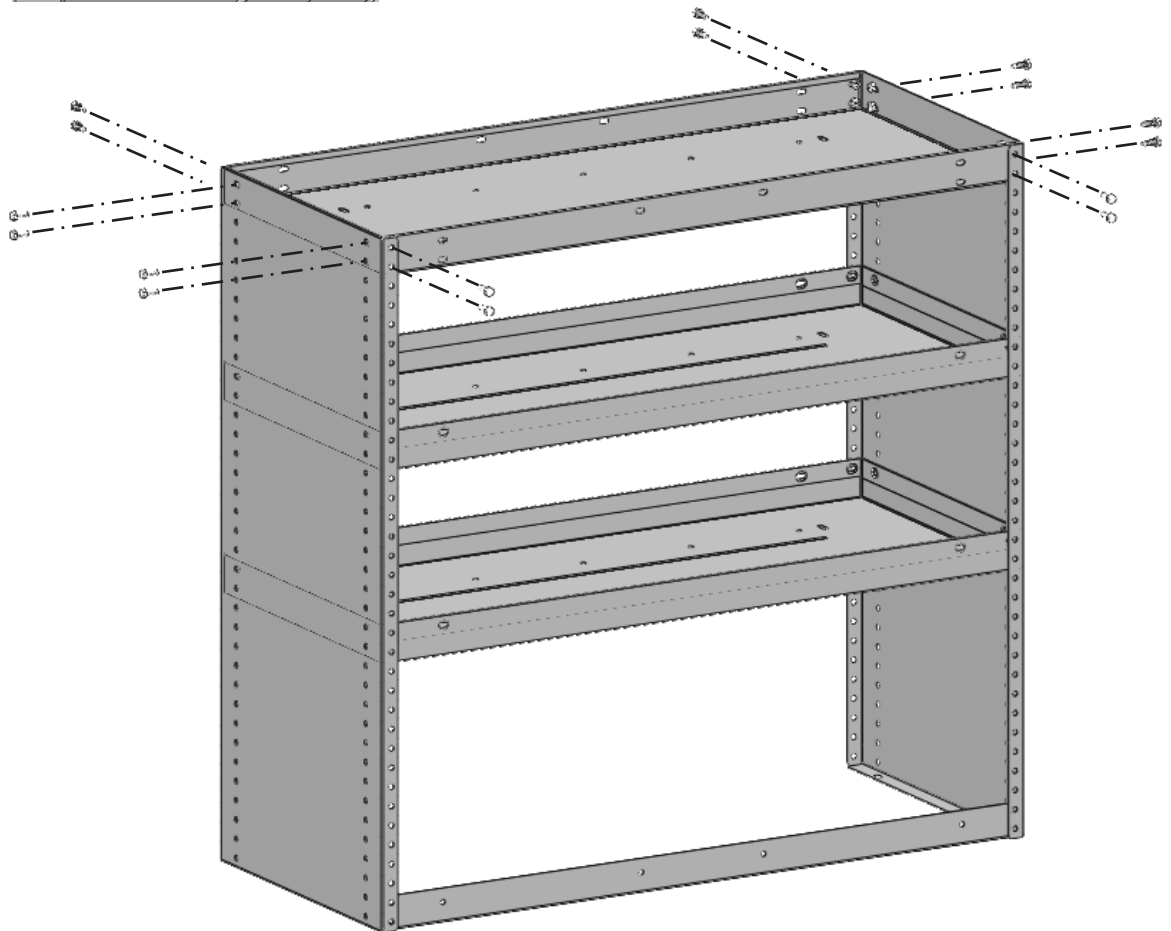


■ **Attaching Heavy Duty Shelves**



Position Shelf at desired hole location as shown and secure to Uprights using:
(16) 1/4-20 x 3/4 Hex Head Screws
(16) 1/4-20 E-Stop Nuts

TORQUE SETTING: Size - 1/4 = 7 - 9.5 Ft. Lbs.



MASTERACK® 3 Year / 36,000 Mile Limited Warranty

MASTERACK® commercial van and pickup equipment is warranted to be from defects in material and workmanship, under normal use and service for a period of one (1) year from date of purchase. Factory installations, and products installed in new vehicles by an authorized MASTERACK® installer are warranted for (3) years or 36,000 miles (60,000KM), whichever comes first. **This warranty covers only repairs, or at MASTERACKS' discretion, replacement to correct any defects related to materials and workmanship.**

This warranty does not apply to:

- Additions, alterations, or installations made by persons including dealers, other than MASTERACK® and its authorized distributors, made in accordance with MASTERACK® specifications and / or instructions, nor to defects arising out of attribute to such additions, alterations or installations.
- Defects attributable to abuse or misuse of the product, misapplication, negligent accident, modification or tampering.
- Damage resulting from failure to promptly notify and comply with the instructions of the dealer or manufacturer about defects when noted.
- Any incidental or consequential damages connected with a defect, either while under warranty or afterward, including the cost of a rental truck and / or loss or revenue.

THE WARRANTY IS THE ONLY WARRANTY APPLICABLE TO A MASTERACK PRODUCT PURCHASE. ALL OTHER WARRANTIES, EXPRESSED OR IMPLIED, INCLUDING BUT NOT LIMITED TO, THE IMPLIED WARRANTIES OR MERCHANTABILITY AND FITNESS FOR A PARTICULAR PURPOSE ARE DISCLAIMED. MASTERACK® AND ITS SUBSIDIARIES, SHALL NOT BE LIABLE FOR ANY INCIDENTAL OR CONSEQUENTIAL DAMAGES ARISING OUT OF ANY BREACH OF THIS WARRANTY, NOR SHALL THE DAMAGES EXCEED THE RETURN AMOUNT OF THE PURCHASE PRICE PAID BY THE ORIGINAL PURCHASER.

Warranty claims must be submitted to either your sales representative or a customer service representative by calling **1-800-222-8785 or 470-471-8011**. The vehicle must be delivered to the original MASTERACK® authorized dealer for inspection and any warranty service. Any warranty service to be performed by a source other than MASTERACK® location or an approved MASTERACK® distributor must be authorized in advance of the repairs by the MASTERACK® Warranty Administrator and a purchase order issued by MASTERACK® in advance of repairs for the authorized repairs.