



Before starting installation, review this document to ensure that all parts and hardware are included in the package.

**In the event that parts are missing, please contact MASTERACK at 1-800-222-8785 to re-order missing parts.**

## 2, 3, 4 Drawer Cabinet with Lock Assembly Installation Instructions

**MASTERACK.COM**

MASTERACK Headquarters  
2400 Mellon Court  
Decatur, GA 30035  
800-222-8785

■ Identification List

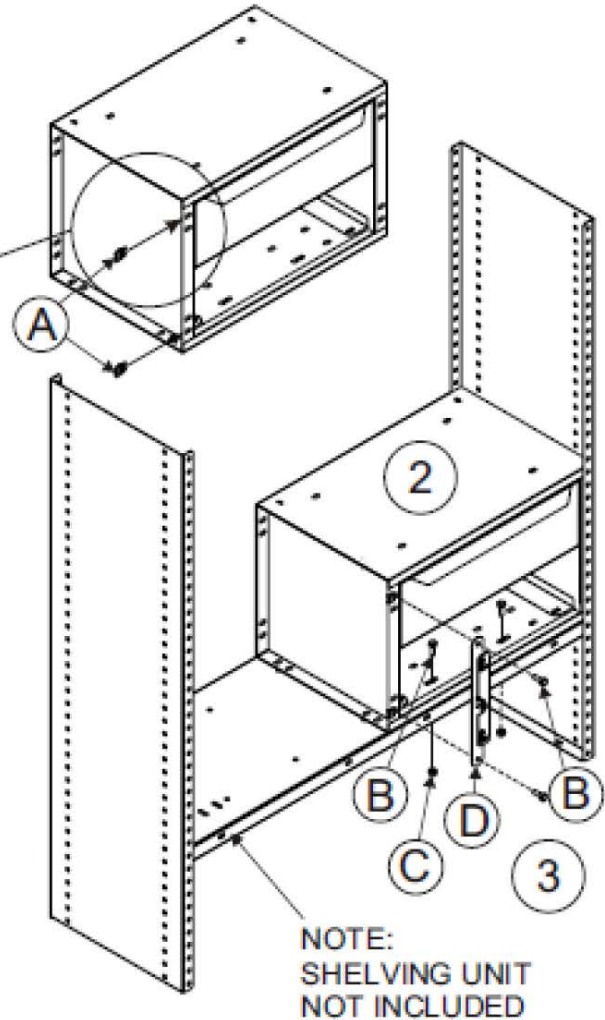
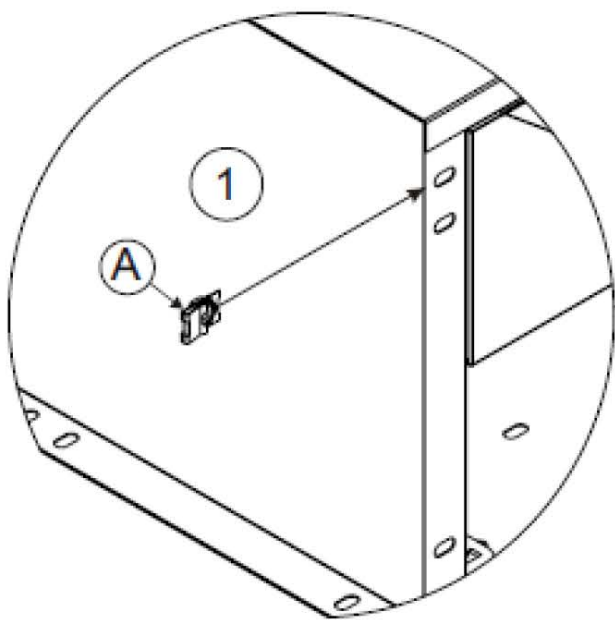
Standard Components		
Item	Qty	Description
A	2	J-Clip Nuts 1/4-20
B	6	Screw 1/4-20 x 3/4L
C	4	Nut 1/4-20 Elastic Stop
C	1	Lock Assembly



Before starting installation, review this document to ensure that all parts and hardware are included in the package.

**In the event that parts are missing, please contact MASTERACK at 1-800-222-8785 to re-order missing parts.**

■ Installation Instructions



**Step 1**

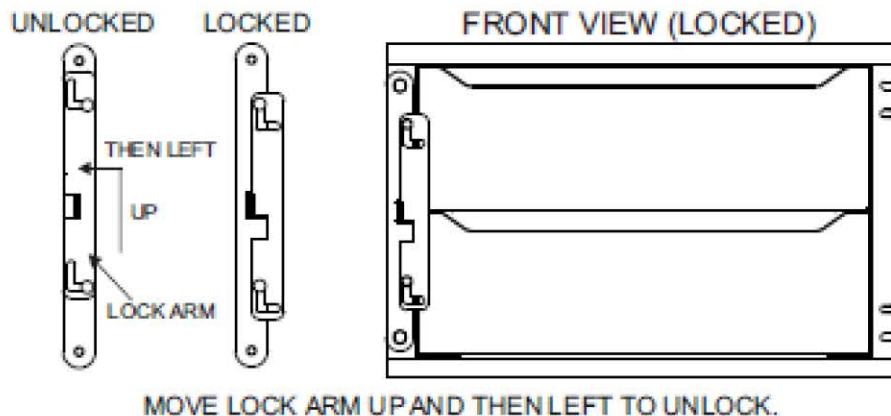
Place the two J-Clip Nuts (A) on the left edge of the cabinet over the top most slot and lower most slot.

**Step 2**

Place the cabinet on top of the shelf. Secure the cabinet to the shelf using four 1/4-20 x 3/4"L hex head screws (B) and four 1/4-20 elastic stop nuts (C)

**Step 3**

Attach the Lock Assembly (D) to the left front of the cabinet into the J-Clip Nuts using two 1/4-20 x 3/4"L hex head screws (B).



## MASTERACK® 3 Year / 36,000 Mile Limited Warranty

MASTERACK® commercial van and pickup equipment is warranted to be from defects in material and workmanship, under normal use and service for a period of one (1) year from date of purchase. Factory installations, and products installed in new vehicles by an authorized MASTERACK® installer are warranted for (3) years or 36,000 miles (60,000KM), whichever comes first. **This warranty covers only repairs, or at MASTERACKS' discretion, replacement to correct any defects related to materials and workmanship.**

### This warranty does not apply to:

- Additions, alterations, or installations made by persons including dealers, other than MASTERACK® and its authorized distributors, made in accordance with MASTERACK® specifications and / or instructions, nor to defects arising out of attribute to such additions, alterations or installations.
- Defects attributable to abuse or misuse of the product, misapplication, negligent accident, modification or tampering.
- Damage resulting from failure to promptly notify and comply with the instructions of the dealer or manufacturer about defects when noted.
- Any incidental or consequential damages connected with a defect, either while under warranty or afterward, including the cost of a rental truck and / or loss or revenue.

**THE WARRANTY IS THE ONLY WARRANTY APPLICABLE TO A MASTERACK PRODUCT PURCHASE. ALL OTHER WARRANTIES, EXPRESSED OR IMPLIED, INCLUDING BUT NOT LIMITED TO, THE IMPLIED WARRANTIES OR MERCHANTABILITY AND FITNESS FOR A PARTICULAR PURPOSE ARE DISCLAIMED. MASTERACK® AND ITS SUBSIDIARIES, SHALL NOT BE LIABLE FOR ANY INCIDENTAL OR CONSEQUENTIAL DAMAGES ARISING OUT OF ANY BREACH OF THIS WARRANTY, NOR SHALL THE DAMAGES EXCEED THE RETURN AMOUNT OF THE PURCHASE PRICE PAID BY THE ORIGINAL PURCHASER.**

Warranty claims must be submitted to either your sales representative or a customer service representative by calling **1-800-222-8785 or 470-471-8011**. The vehicle must be delivered to the original MASTERACK® authorized dealer for inspection and any warranty service. Any warranty service to be performed by a source other than MASTERACK® location or an approved MASTERACK® distributor must be authorized in advance of the repairs by the MASTERACK® Warranty Administrator and a purchase order issued by MASTERACK® in advance or repairs for the authorized repairs.