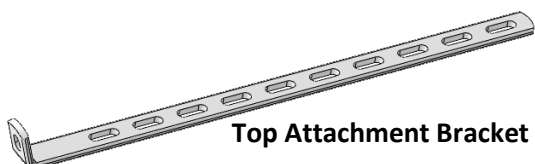
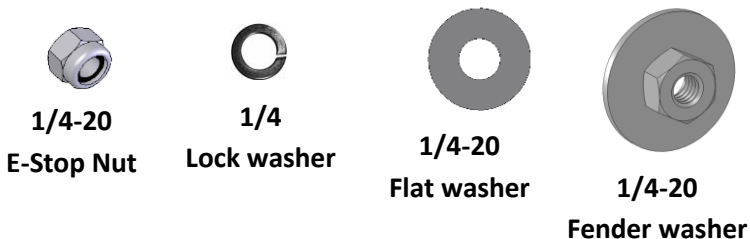


Recommended Tools



Hardware

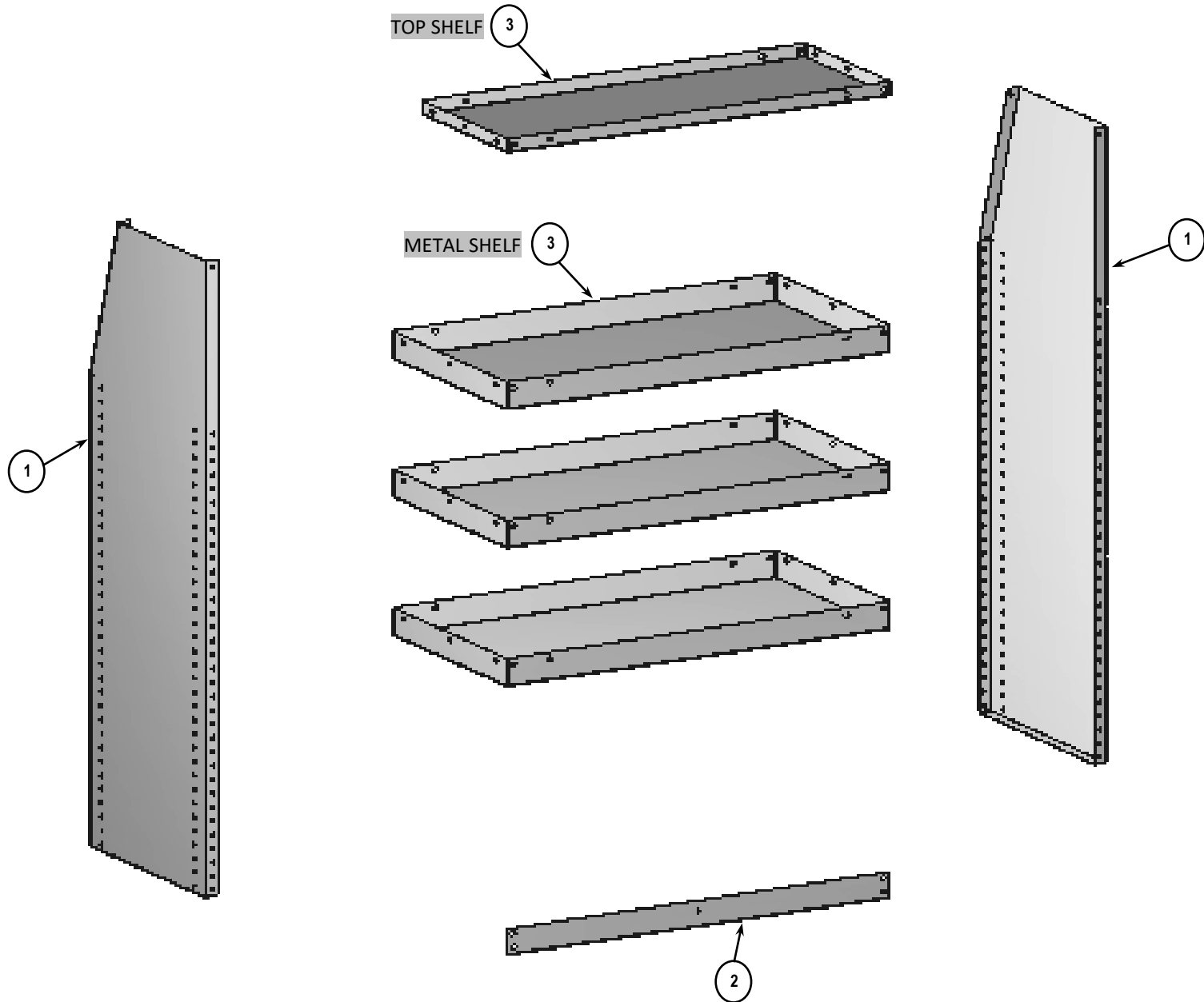


TAPERED MODULES

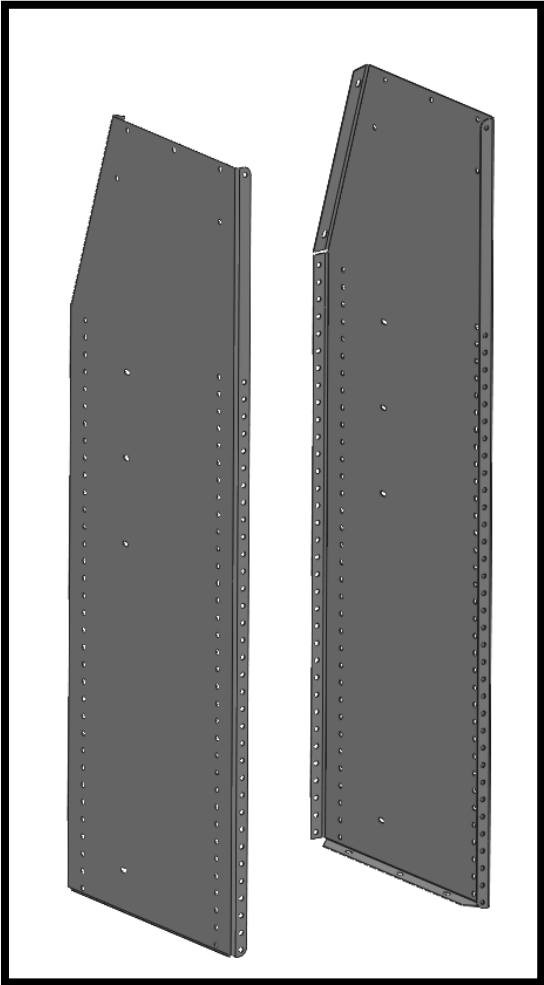
Review this document to ensure that all parts and hardware are included in the package, before installation.

In the event that parts are missing please contact Masterack @ 1-800-222-8785, to re-order missing parts.

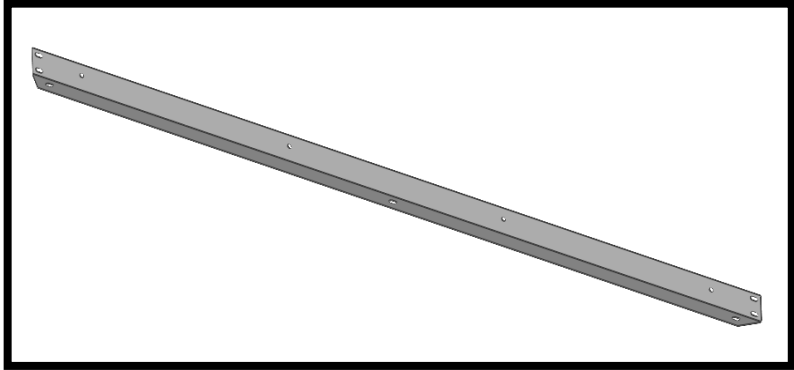
EXPLODED VIEW



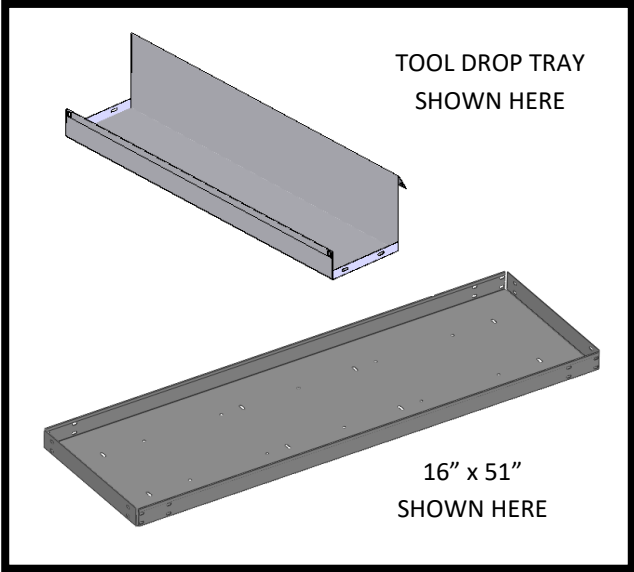
COMPONENTS



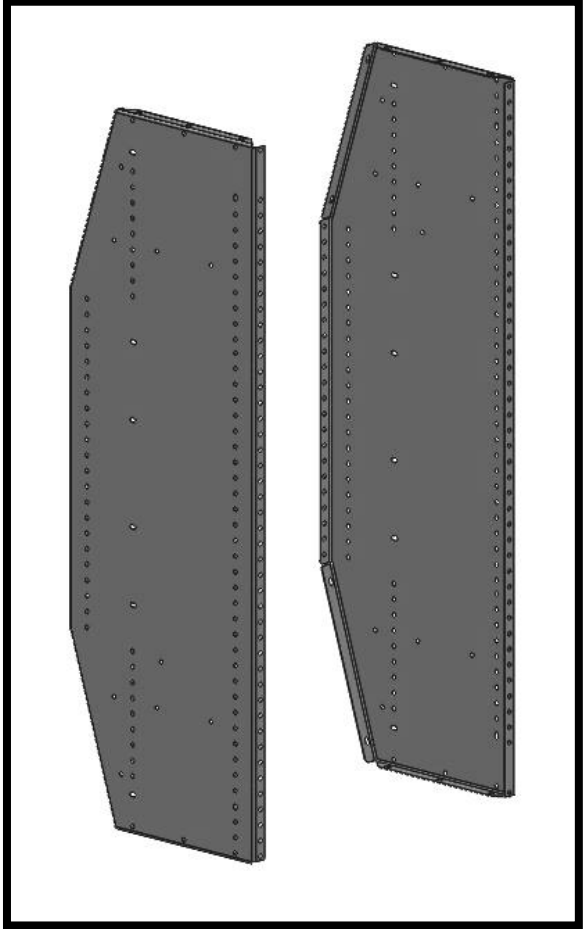
1 TAPERED UPRIGHT (SET OF 2)



2 FLOOR BRACE



3 METAL SHELF

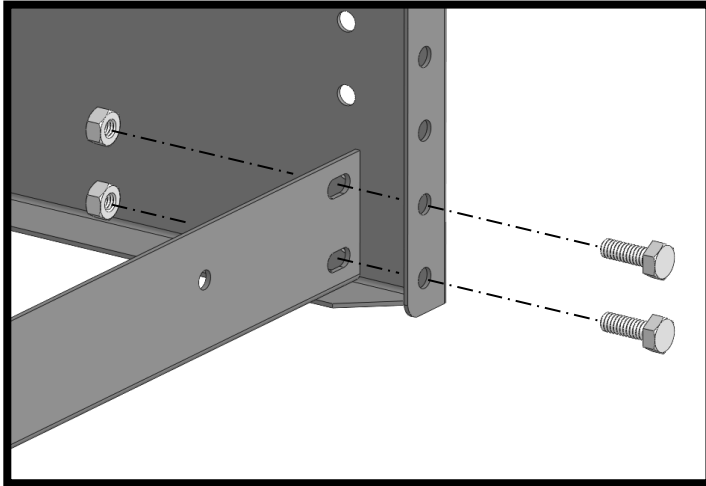


4 DOUBLE TAPERED UPRIGHT (SET OF 2)

SHELVING MODULE	UPRIGHTS (L & R SET) 1	FLOOR BRACE 2	METAL SHELF 3	TOOL DROP TRAY 3
027545KP [46H x 37W x 12D]	027167	023058	021381 – QTY. 2	027165
027546KP [46H x 43W x 12D]	027167	023059	021382 – QTY. 2	027792
027538KP [46H x 19W x 16D]	022395	023055	021378 –TOP SHELF 025153 – QTY. 3	
022817KP [46H x 25W x 16D]	022395	023056	021379 –TOP SHELF 022816 – QTY. 3	
022432KP [46H x 31W x 16D]	022395	023057	021380 –TOP SHELF 022398 – QTY. 3	
022433KP [46H x 37W x 16D]	022395	023058	021381 –TOP SHELF 022397 – QTY. 3	
022434KP [46H x 43W x 16D]	022395	023059	021382 –TOP SHELF 022396 – QTY. 3	
025591KP [46H x 43W x 16D]	022395	025680	025572 –TOP SHELF 025571 – QTY. 3	

4 DOUBLE TAPERED UPRIGHT (L & R SET)
02N673_46H" x 16D"
02N673_46H" x 12D"
02N673_60H" x 16D"

ATTACHING FLOOR BRACE



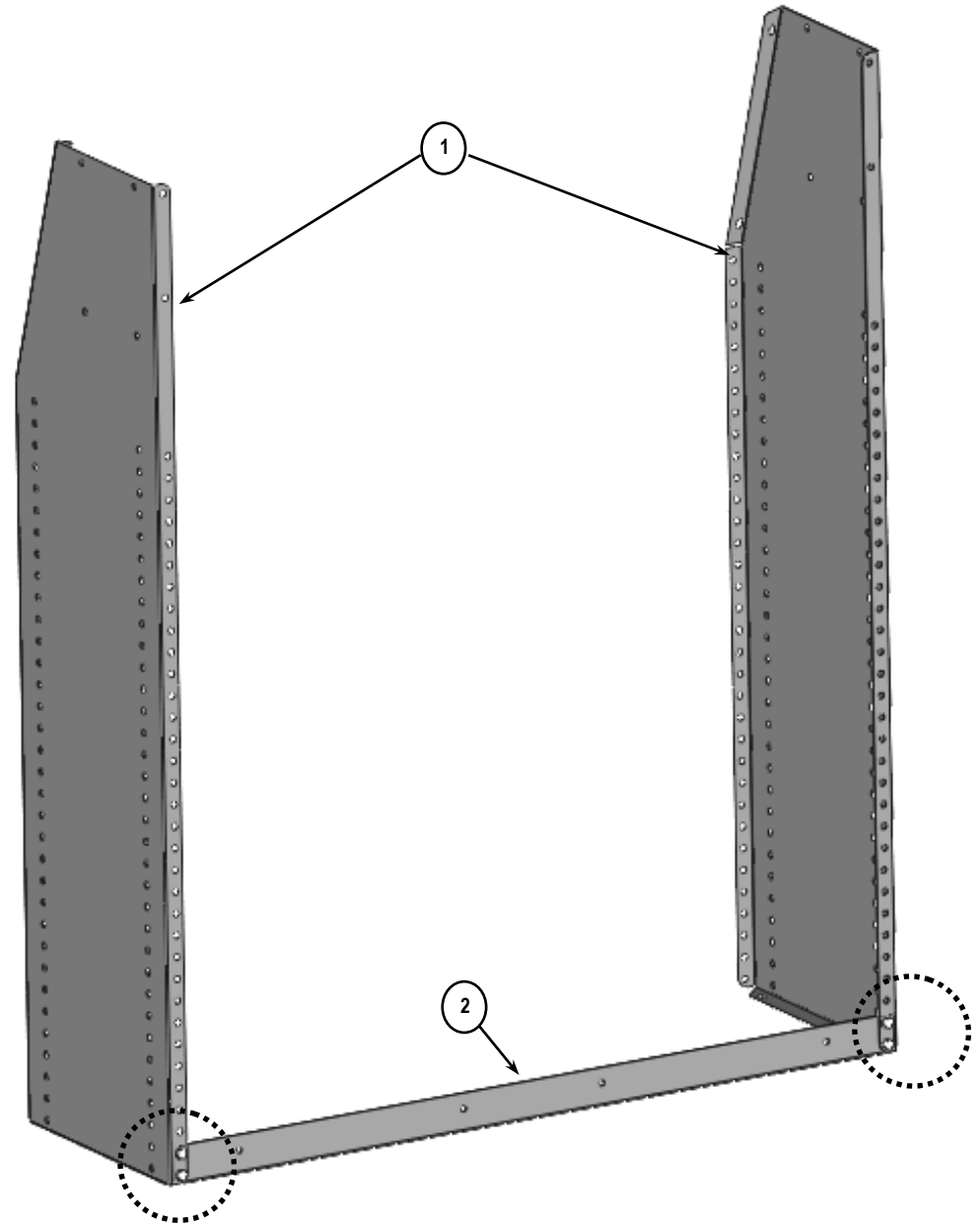
Attach as shown using:

(4) 1/4-20 x 3/4 Hex Head Screws

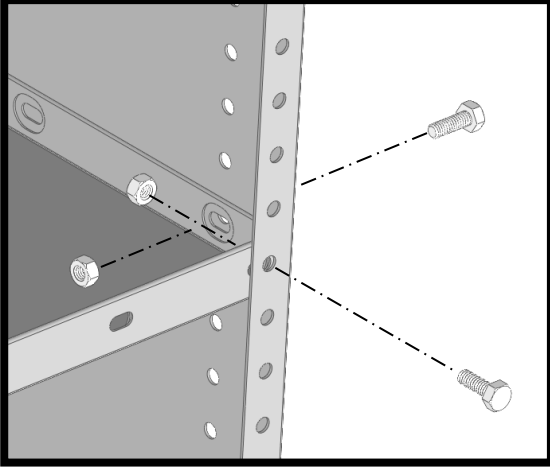
(4) 1/4-20 E-Stop Nuts

TORQUE SETTING:

Size - 1/4 = 7 - 9.5 Ft.-Lbs.

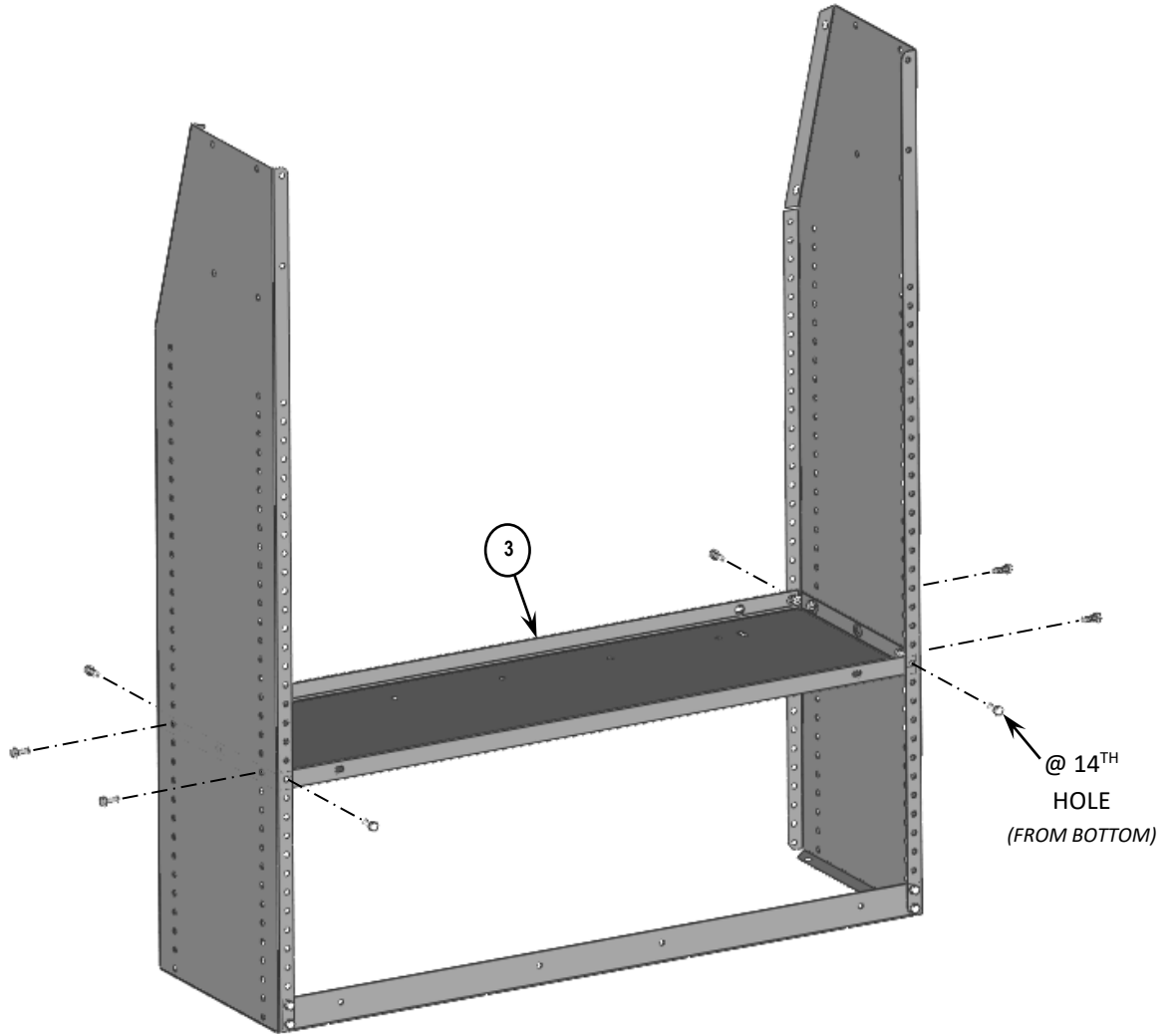


ATTACHING BOTTOM SHELF



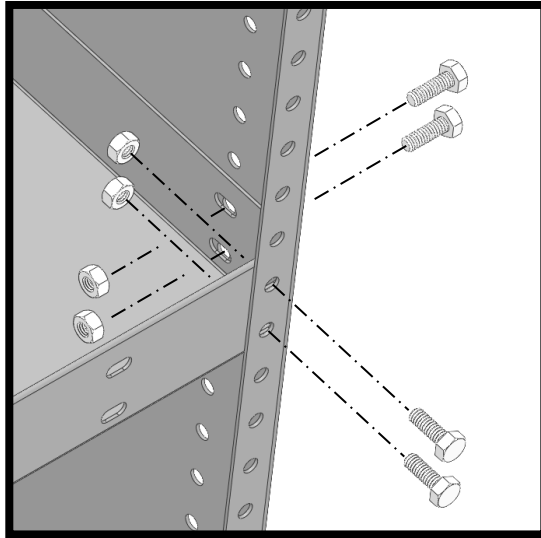
Attach Shelf as shown, using:
(8) 1/4-20 x 3/4 Hex Head Screws
(8) 1/4-20 E-Stop Nuts

TORQUE SETTING:
Size – 1/4 = 7 – 9.5 Ft.-Lbs.



**APPLICABLE TO MODULES WITH:
HEAVY DUTY SHELVES**

ATTACHING BOTTOM SHELF



Attach **Heavy Duty Shelves** as shown, using:

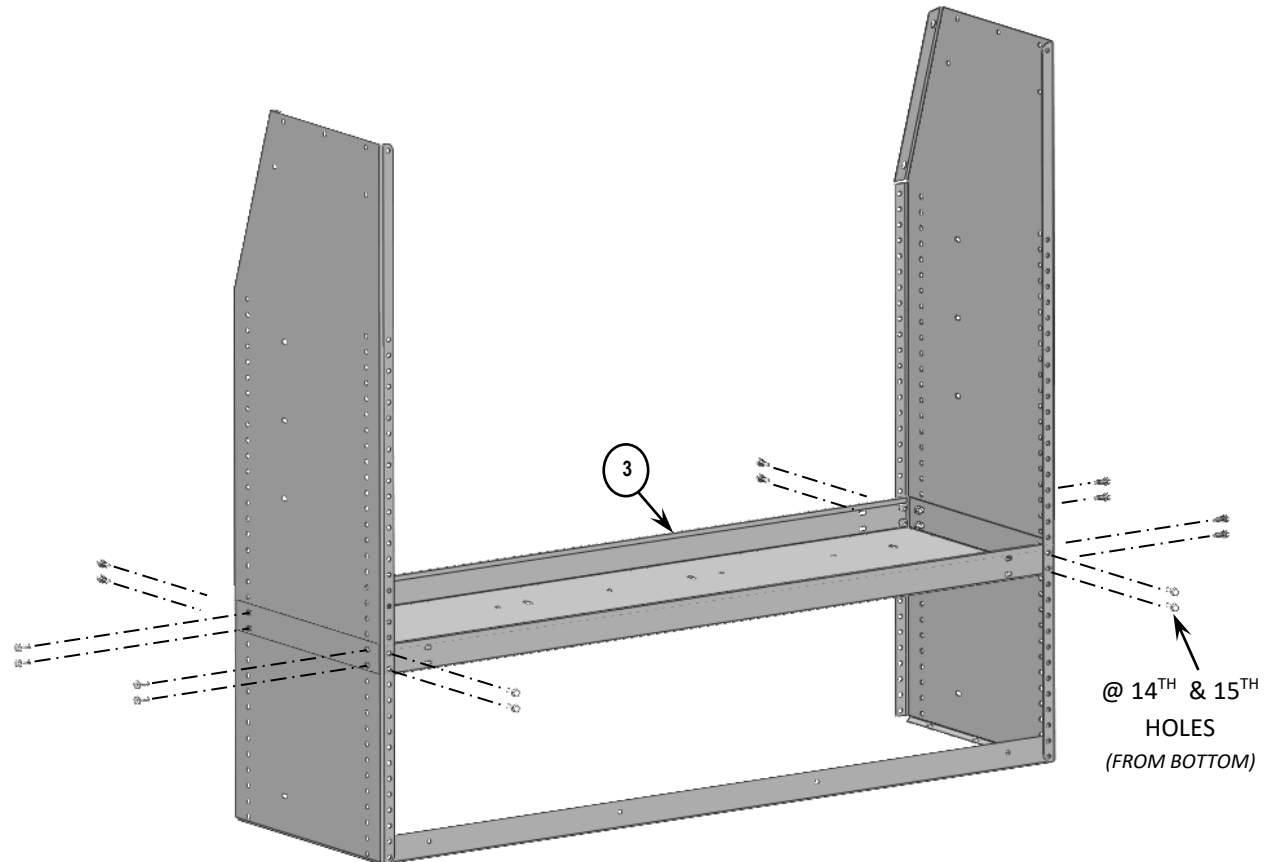
(16) 1/4-20 x 3/4 Hex Head Screws

(16) 1/4-20 E-Stop Nuts

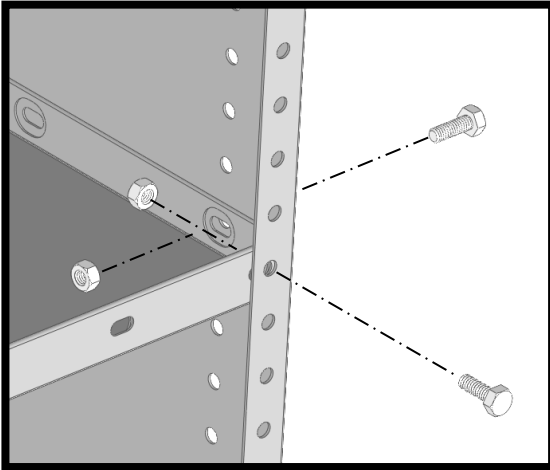
- PER SHELF -

TORQUE SETTING:

Size - 1/4 = 7 - 9.5 Ft.-Lbs.



ATTACHING REMAINING SHELVES



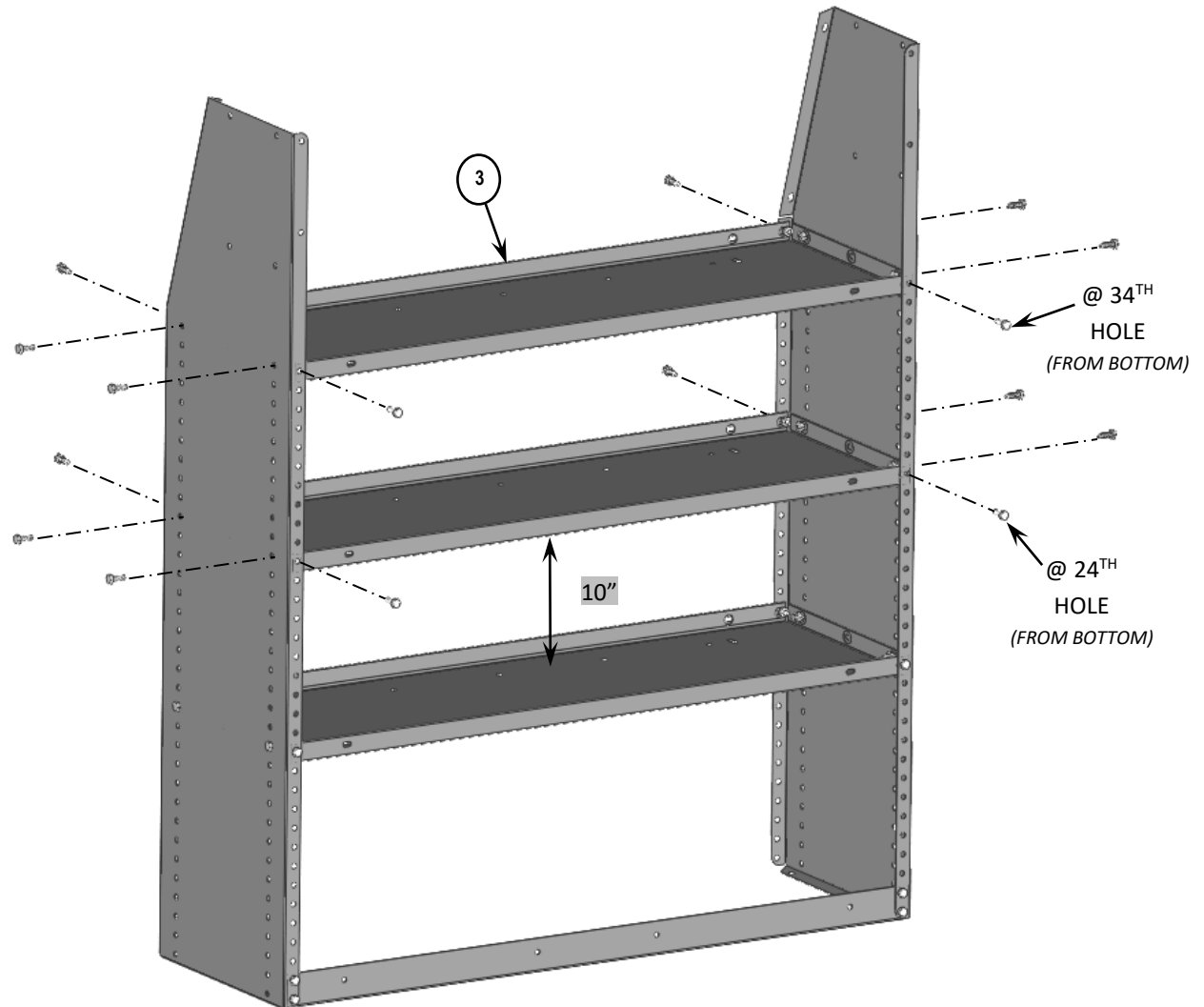
Attaching (2) Shelves as shown, using:
(16) 1/4-20 x 3/4 Hex Head Screws
(16) 1/4-20 E-Stop Nuts

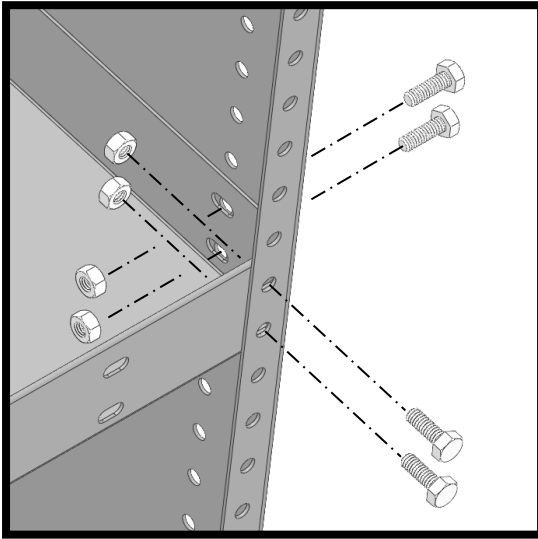
TORQUE SETTING:

Size – 1/4 = 7 – 9.5 Ft.-Lbs.

NOTE:

SHELVES ARE ADJUSTABLE TO FIT REQUIRED NEED.
MOUNTING LOCATIONS SHOWN ARE STANDARD
MOUNTING LOCATIONS 10 INCHES APART.



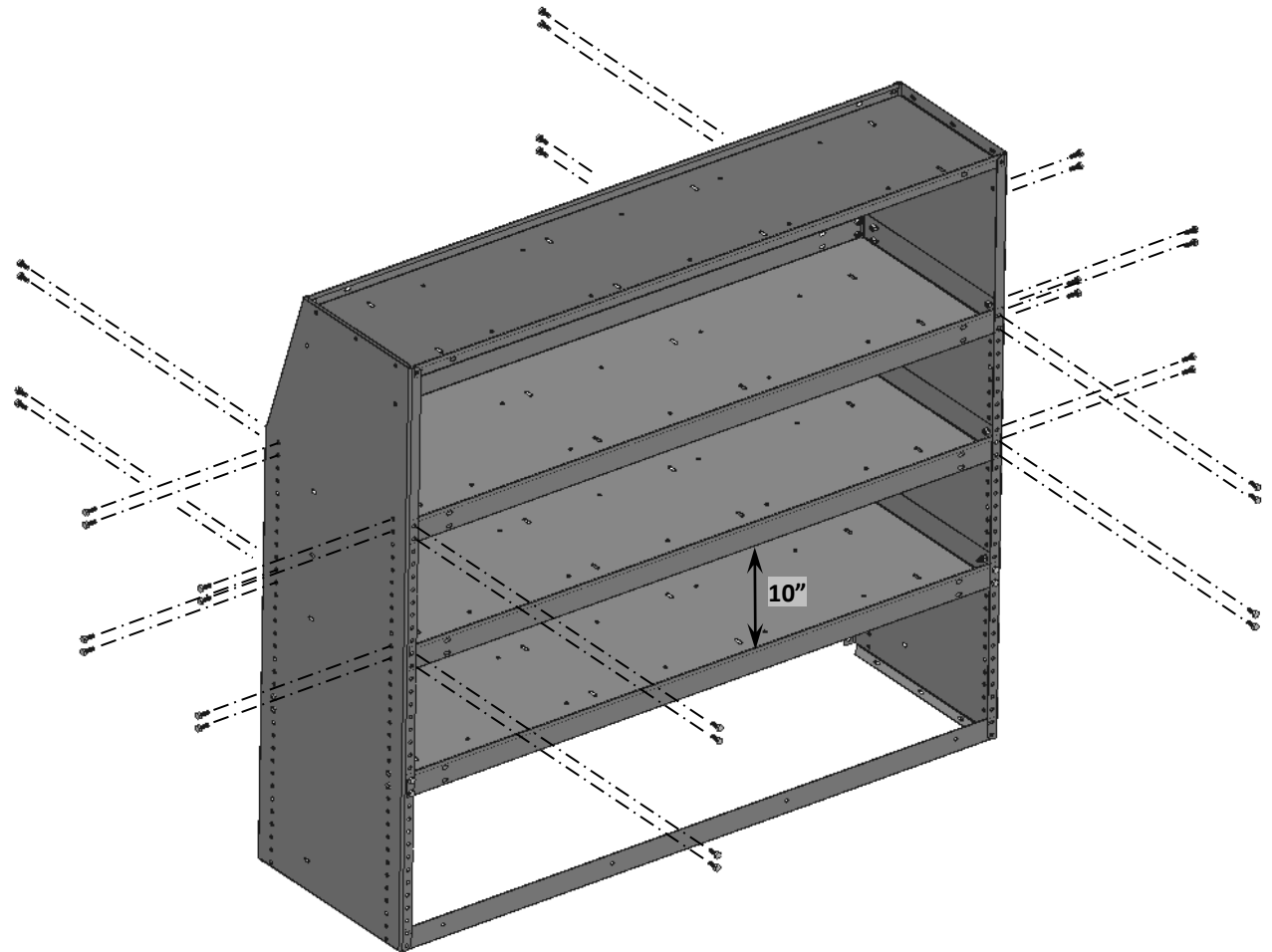
**APPLICABLE TO MODULES WITH:
HEAVY DUTY SHELVES****ATTACHING
REMAINING SHELVES**

Attaching (2) HD Shelves as shown, using:
(32) 1/4-20 x 3/4 Hex Head Screws
(32) 1/4-20 E-Stop Nuts

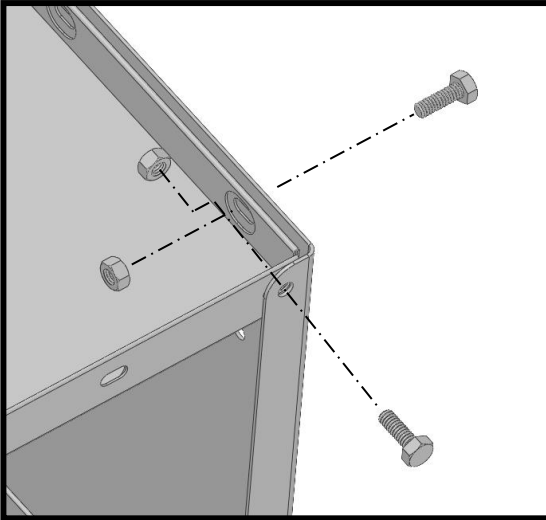
TORQUE SETTING:
Size - 1/4 = 7 - 9.5 Ft.-Lbs.

NOTE:

SHELVES ARE ADJUSTABLE TO FIT REQUIRED NEED.
MOUNTING LOCATIONS SHOWN ARE STANDARD
MOUNTING LOCATIONS.



ATTACHING TOP SHELF



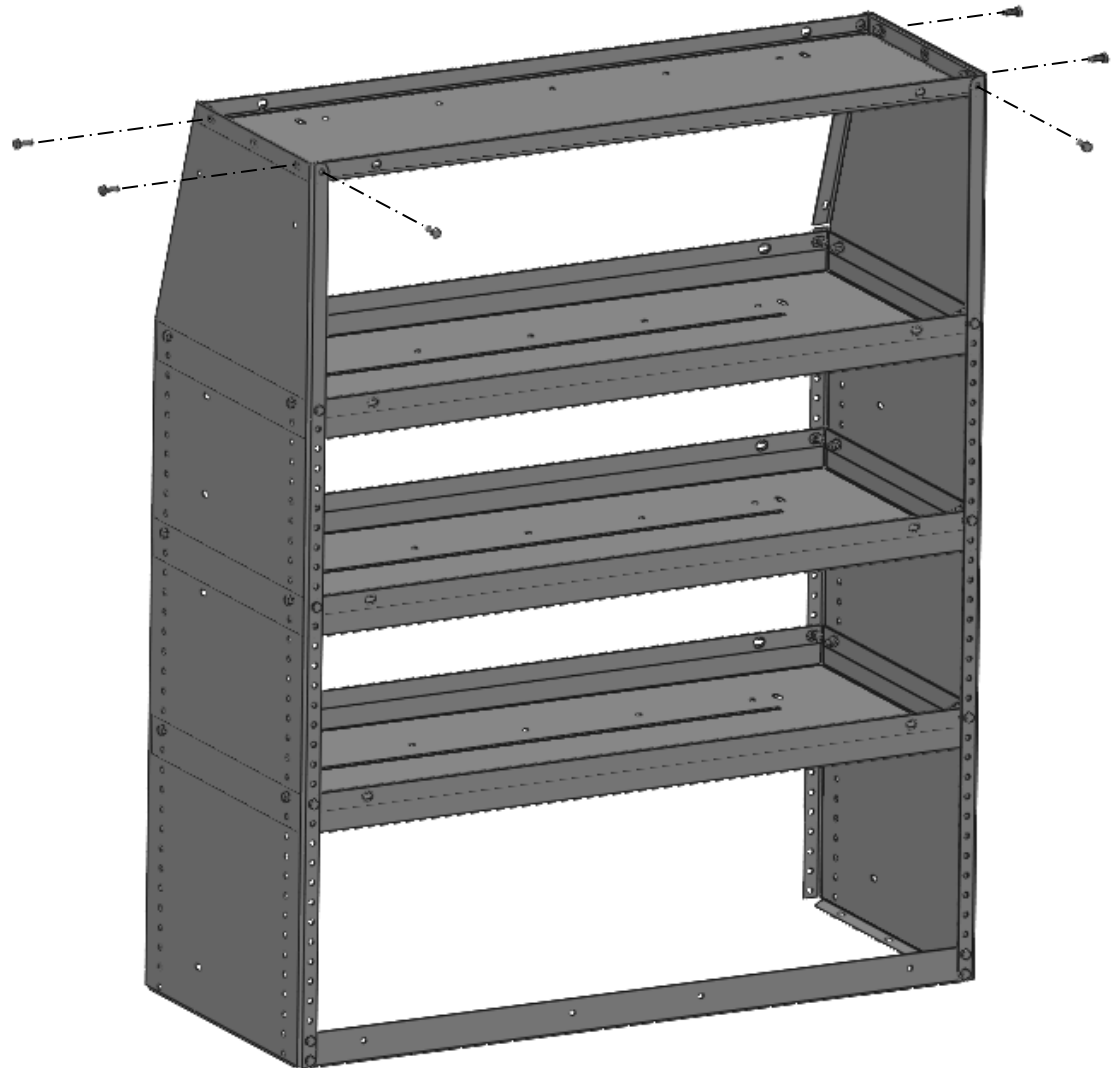
Attach Top Shelf as shown, using:

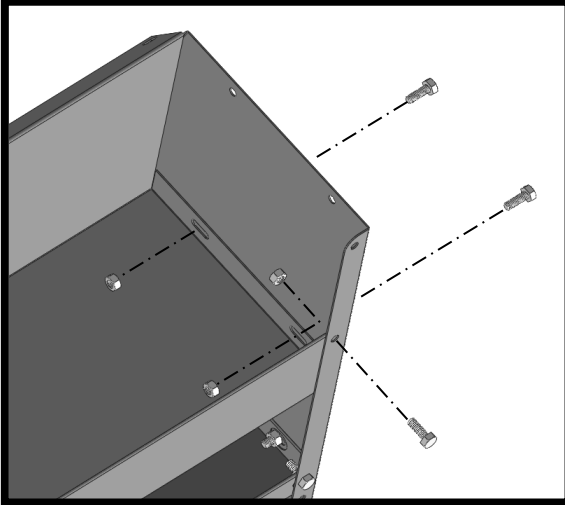
(6) 1/4-20 x 3/4 Hex Head Screws

(6) 1/4-20 E-Stop Nuts

TORQUE SETTING:

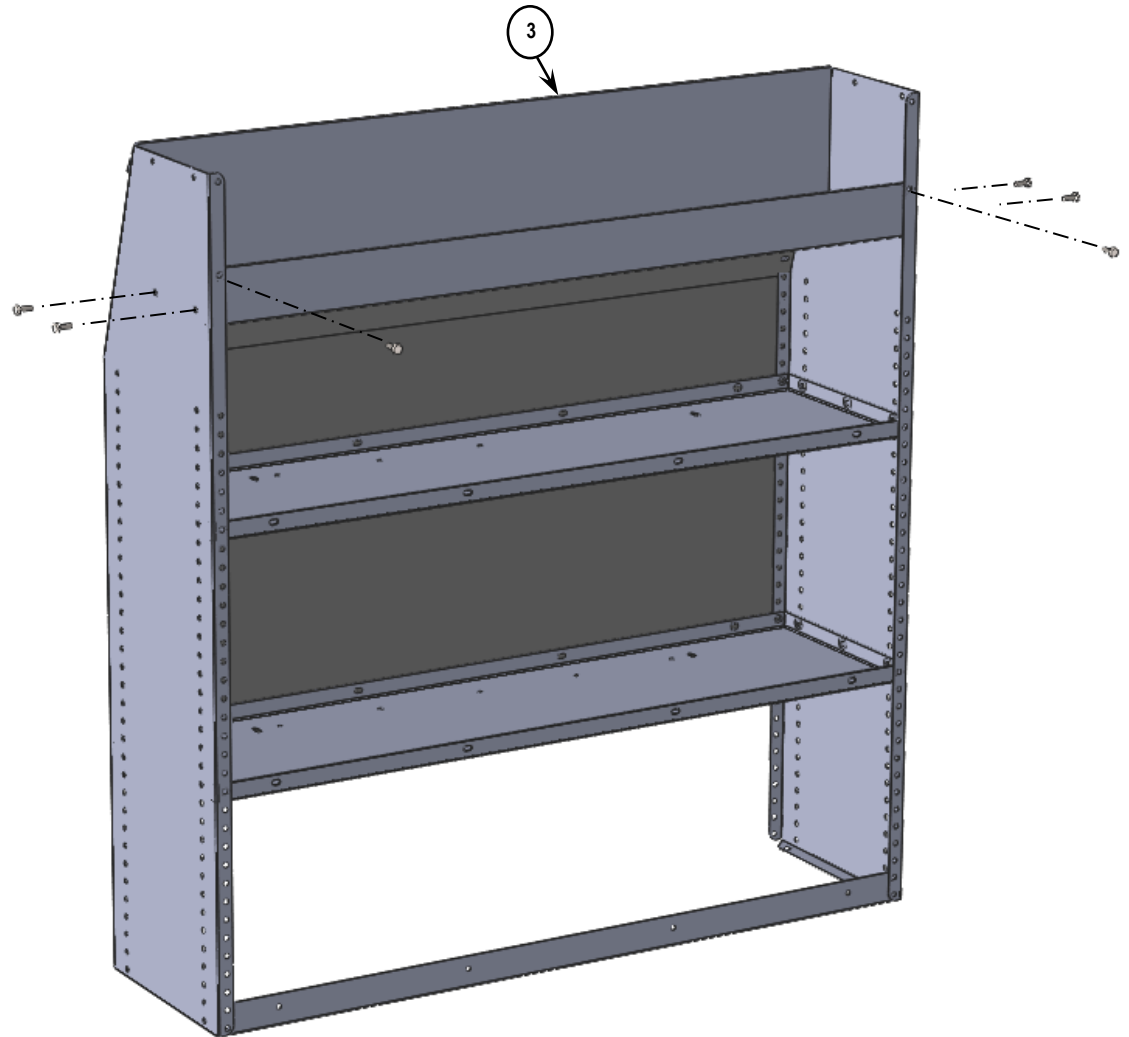
Size - 1/4 = 7 - 9.5 Ft.-Lbs.



**APPLICABLE TO MODULES WITH:
TOOL DROP TRAY w/ 2 SHELVES****ATTACHING
TOOL DROP TRAY**

Attach Tool Drop Tray as shown, using:
(6) 1/4-20 x 3/4 Hex Head Screws
(6) 1/4-20 E-Stop Nuts

TORQUE SETTING:
Size – 1/4 = 7 – 9.5 Ft.-Lbs.



STANDARD INSTALLATION

BEFORE DRILLING

STOP **STOP**

**CHECK ALL MOUNTING LOCATIONS TO PREVENT PENETRATING
 GAS LINES, GAS TANKS, BRAKE LINES, WIRING OR ANY OTHER STRUCTURE OF VEHICLE**

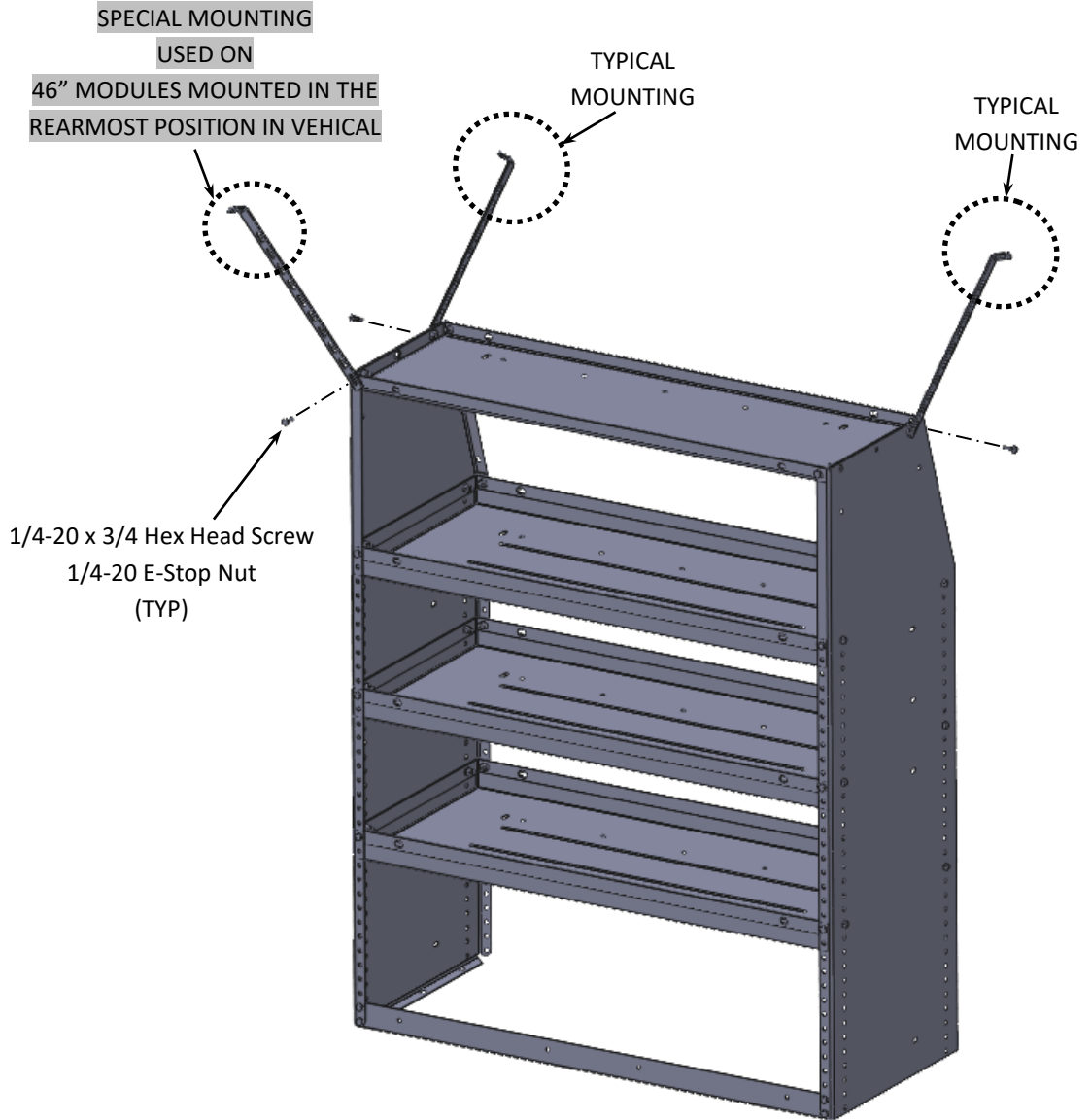
Drill a 25/64 hole and install Plusnut

With module properly positioned in desired location in vehicle, attach brackets loosely at the locations shown. Mark and drill 25/64 holes to install Plusnuts and secure as shown using:

- (1) 1/4-20 x 1 1/4 Hex Head Screws
- (1) 1/4-20 Lock Washer

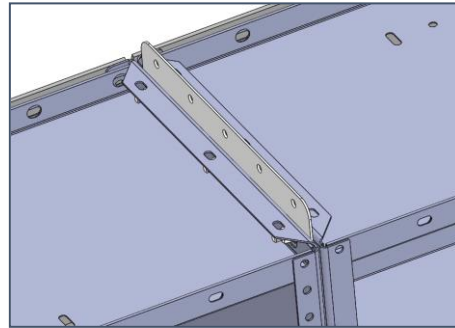
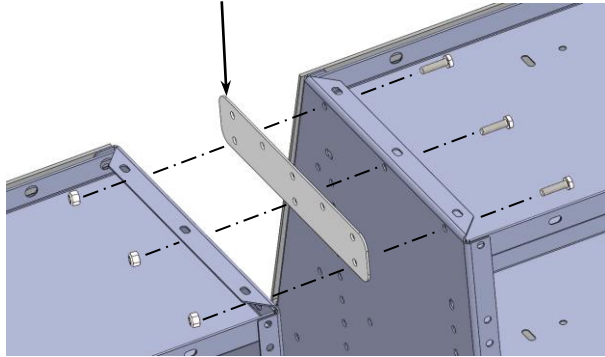
AT EACH MOUNTING LOCATON

TORQUE SETTING:
 Size - 1/4 = 7 - 9.5 Ft.-Lbs.

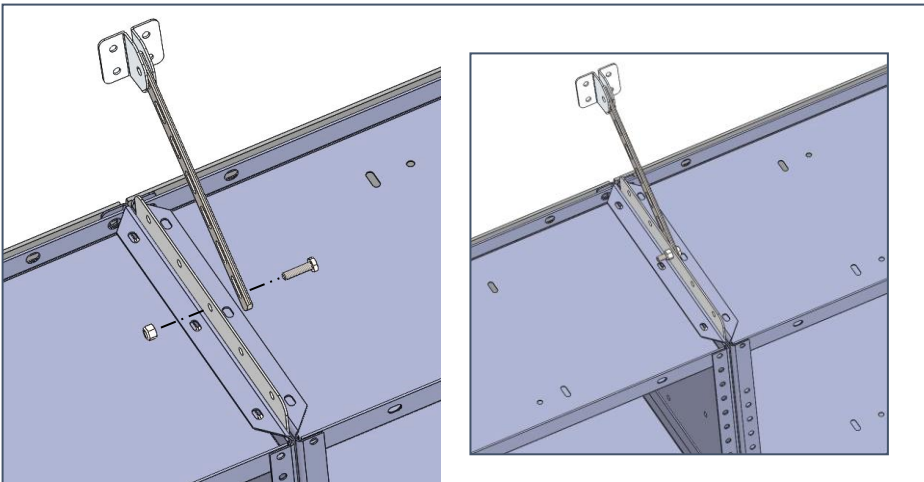


CONNECTING and SECURING TWO DOUBLE TAPERED MODULES

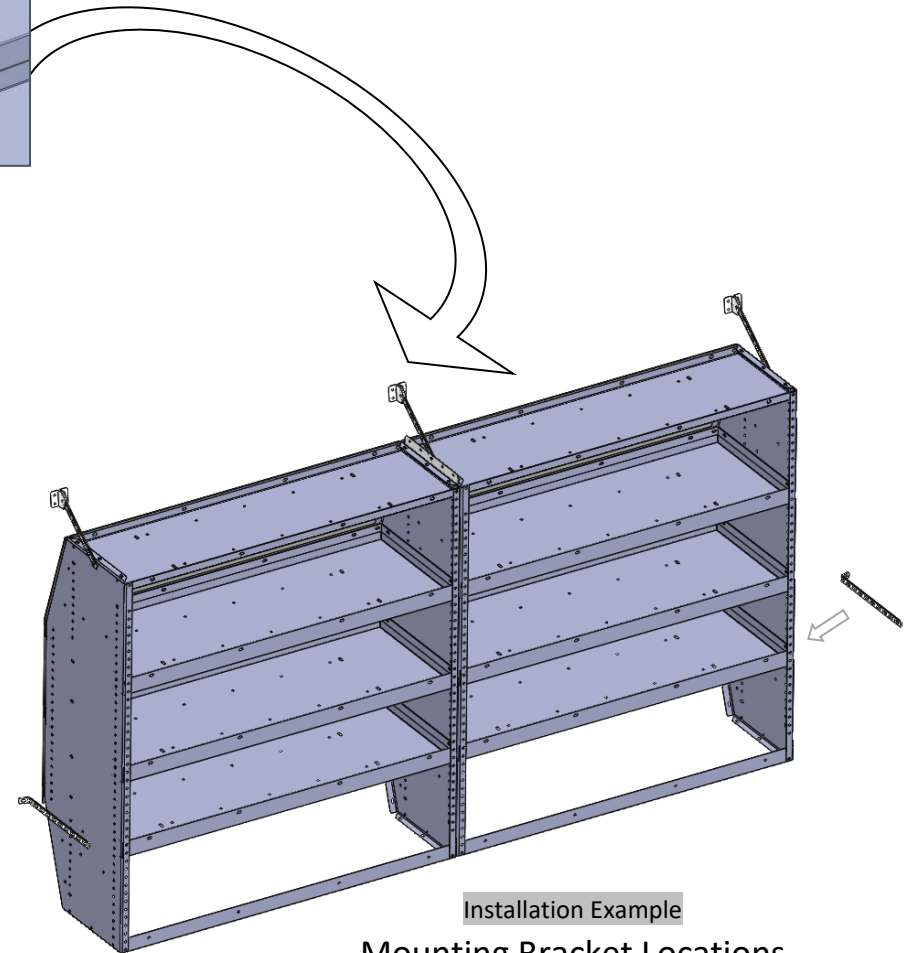
DOUBLE TAPER
 UPRIGHT BRACKET
 P/N: 02N845



Secure as shown, using:
 (3) 1/4-20 x 3/4 Hex Head Screws
 (3) 1/4-20 E-Stop Nuts

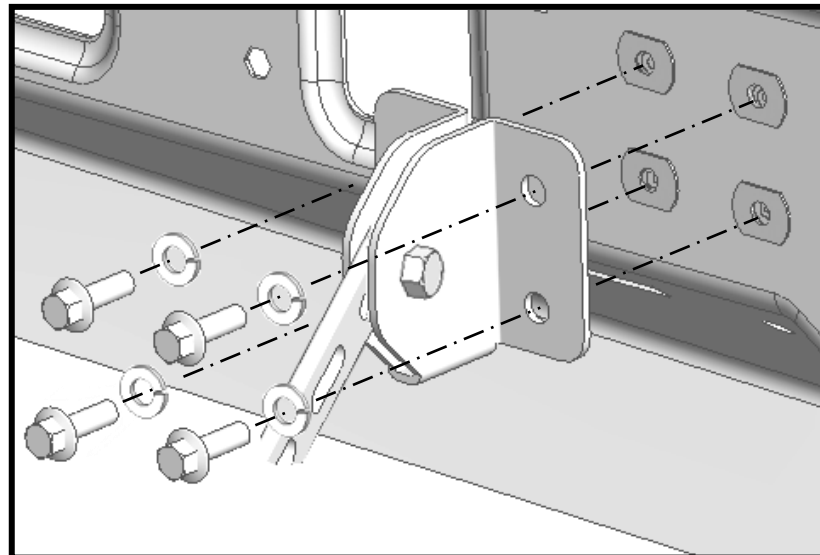
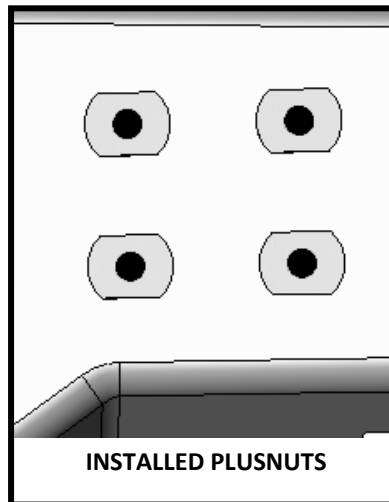
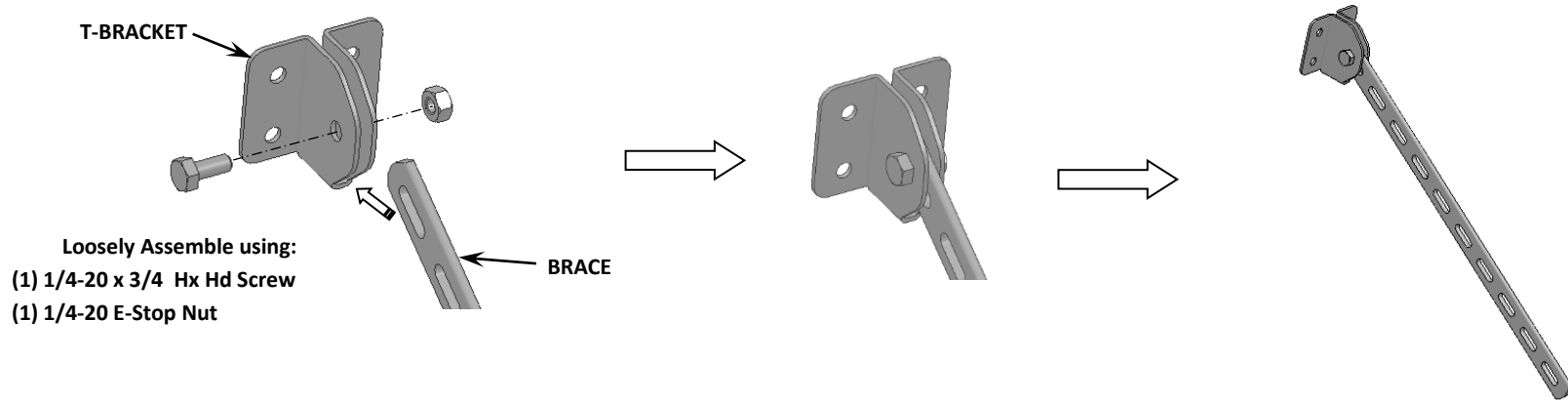


Secure as shown, using:
 (1) 1/4-20 x 3/4 Hex Head Screws
 (1) 1/4-20 E-Stop Nuts



Installation Example
Mounting Bracket Locations

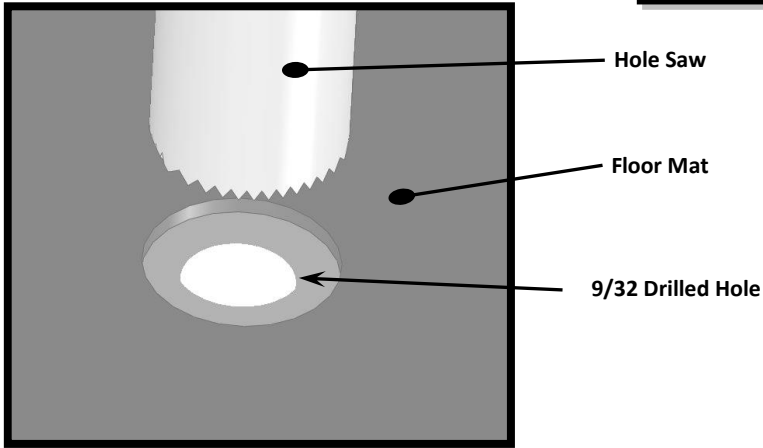
INSTALLATION EXAMPLE SECURING T-BRACKET



TORQUE SETTING:
Size - 1/4 = 7 - 9.5 Ft.-Lbs.

SECURE T-BRACKET TO INNER WALL USING;
(4) 1/4-20 x 1 1/4 GRD 8 HWH BOLT and (4) 1/4 LOCK WASHER

STANDARD INSTALLATION

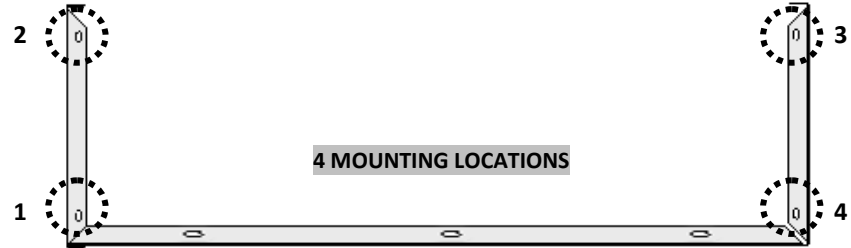


NOTE:

Using a 1-1/8" Hole Saw specially made for mat cutting, hole saw out all holes in the mat making sure to align hole saw with pre drilled holes. **Make sure not to drill through the metal floor of the van.** Once drilled clear out each area of excess debris

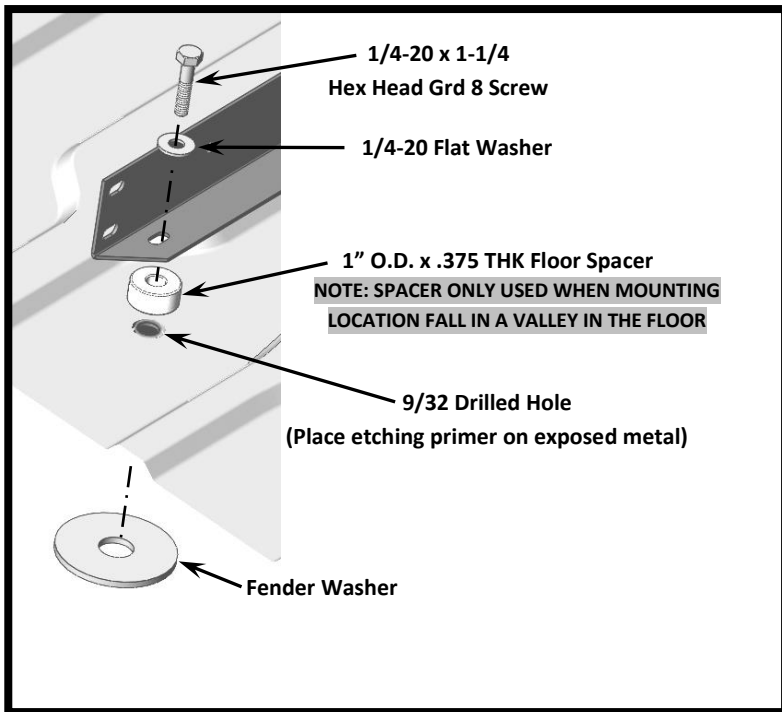
BEFORE DRILLING

STOP CHECK ALL MOUNTING LOCATIONS TO PREVENT PENETRATING GAS LINES, GAS TANKS, BRAKE LINES, WIRING OR ANY OTHER STRUCTURE OF VEHICLE **STOP**

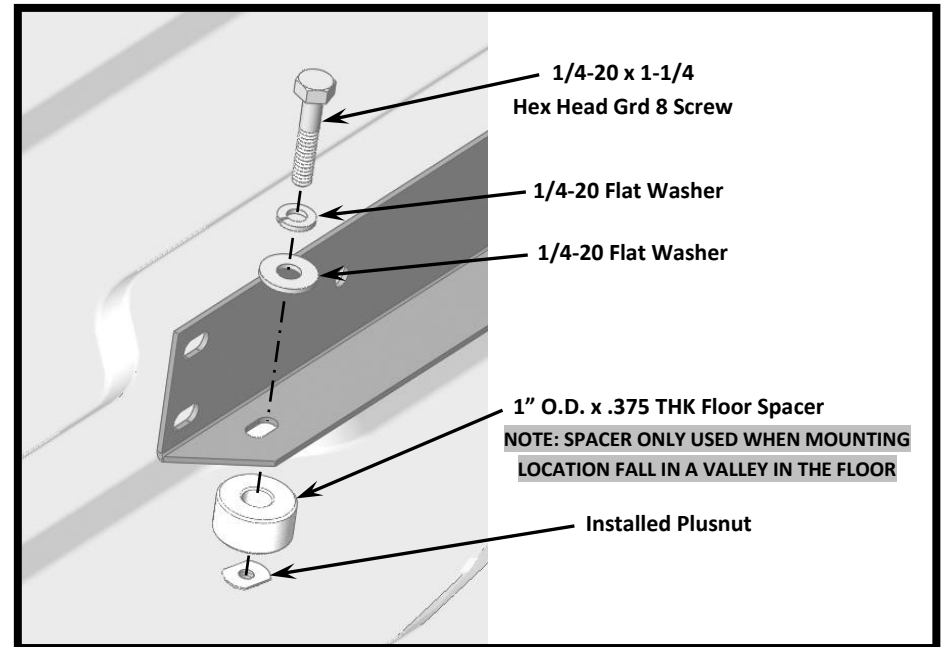


With module properly positioned attach module to floor of vehicle
 Using either method described below.

NOTE: SPACER ONLY USED WHEN MOUNTING LOCATION FALL IN A VALLEY IN THE FLOOR



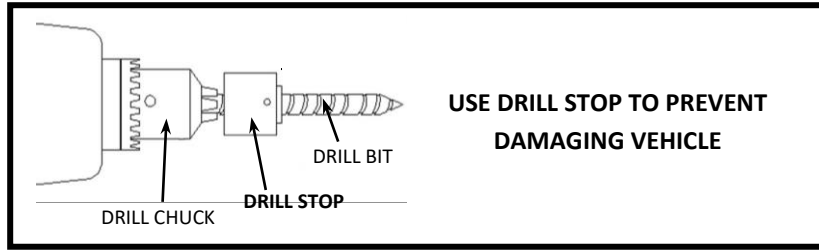

MOUNTING THROUGH FLOOR
 (WHERE SPACE PERMITS UNDER VEHICLE)



MOUNTING WITH PLUSNUT
 (LIMITED SPACE UNDER VEHICLE)
 (SEE PAGE 14 FOR PLUSNUT INSTALLATION)


BEFORE DRILLING

STOP **CHECK ALL MOUNTING LOCATIONS TO PREVENT PENETRATING** **STOP**
GAS LINES, GAS TANKS, BRAKE LINES, WIRING OR ANY OTHER STRUCTURE OF VEHICLE

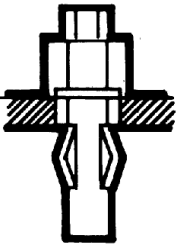
The Plusnut® is pre-bulbed for easy installation

1



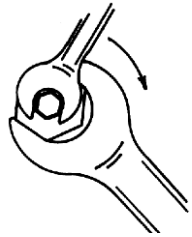
The Plusnut® is pre-assembled with hex cap and hex bolt. Then it is inserted into a pre-drilled hole

2




As the bolt is tightened, the Plusnut® upsets and provides outstanding blind fastening holding power

3



C-500 tool tightens bolt thru hex head cap into Plusnut® A ratchet, open-end or closed –end wrench can be used.


4



Fully upset Plusnut® provides a reliable nut plate for fastening.

5

CHECK EACH BOLT LOCATION
 to ensure they are tightened to the specified torque setting.



TORQUE SETTING:
 Size – 1/4 GRD 5 = 7- 9.6 Ft.-Lbs.
 Size – 1/4 GRD 8 = 10- 13.5 Ft.-Lbs.

Masterack® Limited Warranty



Masterack® commercial van and pick up equipment is warranted to be free from defects in material and workmanship, under normal use and service for a period of one (1) year from date of purchase. Factory installations, and products installed in new vehicles by an authorized Masterack® installer are warranted for three (3) years or 36,000 miles (60,000KM), whichever comes first. **This warranty covers only repairs, or at Masterack's discretion, replacement to correct any defects related to materials and workmanship.**

This warranty does not apply to:

- Additions, alterations, or installations made by persons including dealers, other than Masterack® and its authorized distributors, made in accordance with Masterack® specifications and / or instructions, nor to defects arising out of attribute to such additions, alterations or installations.
- Defects attributable to abuse or misuse of the product, misapplication, negligent accident, modification or tampering.
- Damage resulting from failure to promptly notify and comply with the instructions of the dealer or manufacturer about defects when noted.
- Any incidental or consequential damages connected with a defect, either while under warranty or afterward, including the cost of a rental truck and/or loss or revenue.

THIS WARRANTY IS THE ONLY WARRANTY APPLICABLE TO A MASTERACK PRODUCT PURCHASE. ALL OTHER WARRANTIES, EXPRESSED OR IMPLIED, INCLUDING BUT NOT LIMITED TO, THE IMPLIED WARRANTIES OR MERCHANTABILITY AND FITNESS FOR A PARTICULAR PURPOSE ARE DISCLAIMED. MASTERACK® AND ITS SUBSIDIARIES, SHALL NOT BE LIABLE FOR ANY INCIDENTAL OR CONSEQUENTIAL DAMAGES ARISING OUT OF ANY BREACH OF THIS WARRANTY, NOR SHALL THE DAMAGES EXCEED THE RETURN AMOUNT OF THE PURCHASE PRICE PAID BY THE ORIGINAL PURCHASER.

Warranty claims must be submitted to the either your sales representative or a customer service representative at 816-455-0218. The vehicle must be delivered to the original Masterack® authorized installer of the product or, if not practical, to a Masterack® authorized dealer for inspection and any warranty service. Any warranty service to be performed by a source other than a Masterack® location or an approved Masterack® distributor must be authorized in advance of the repairs by the Masterack® Warranty Administrator and a purchase order issued by Masterack® in advance or repairs for the authorized repairs.