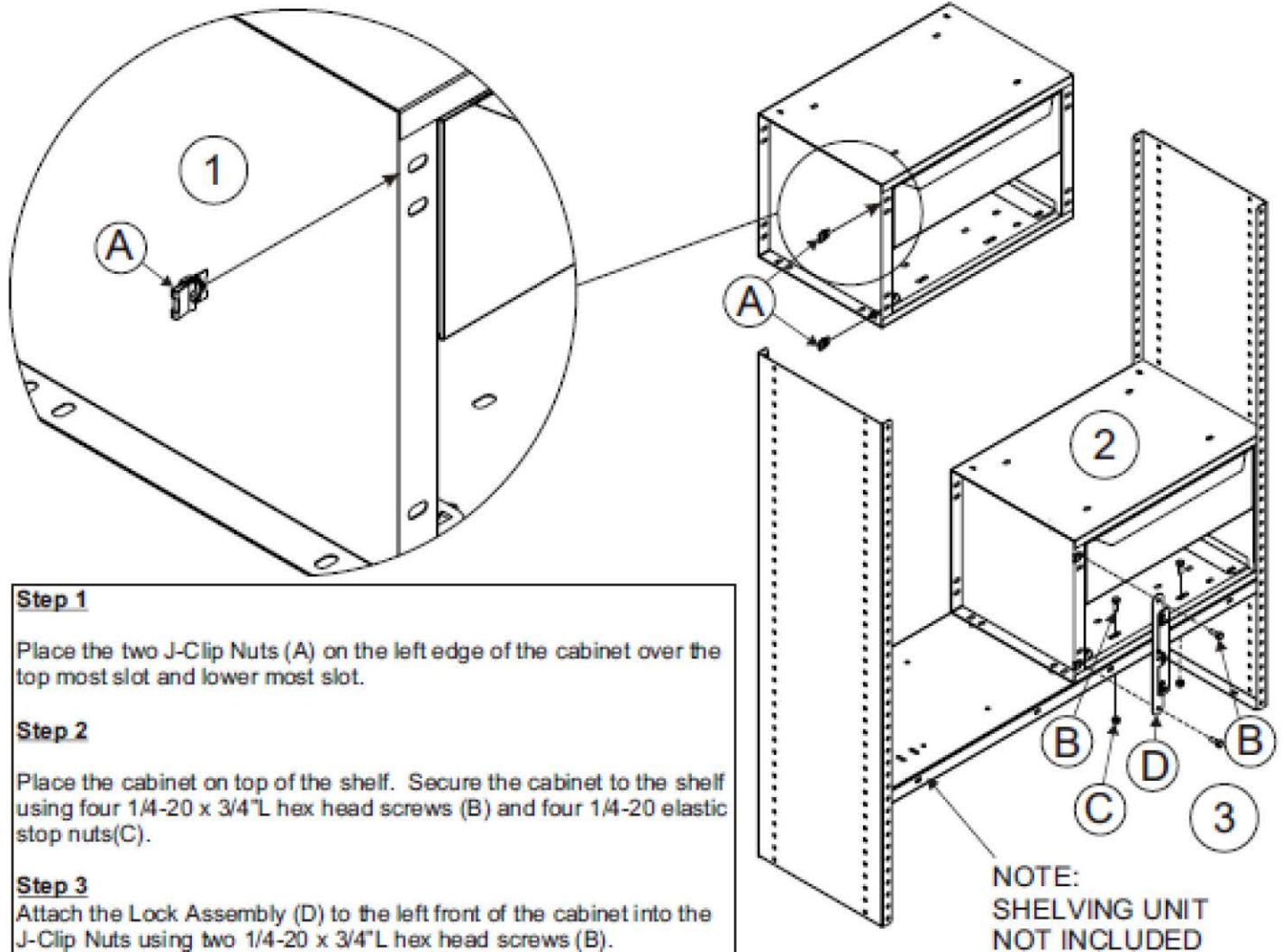


Installation Instructions

2, 3 and 4 Drawer Cabinets with Lock Assembly



Step 1

Place the two J-Clip Nuts (A) on the left edge of the cabinet over the top most slot and lower most slot.

Step 2

Place the cabinet on top of the shelf. Secure the cabinet to the shelf using four 1/4-20 x 3/4"L hex head screws (B) and four 1/4-20 elastic stop nuts (C).

Step 3

Attach the Lock Assembly (D) to the left front of the cabinet into the J-Clip Nuts using two 1/4-20 x 3/4"L hex head screws (B).

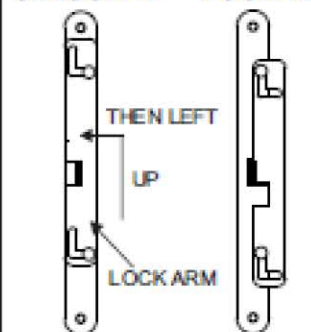
NOTE:
SHELVING UNIT
NOT INCLUDED

IDENTIFICATION LIST

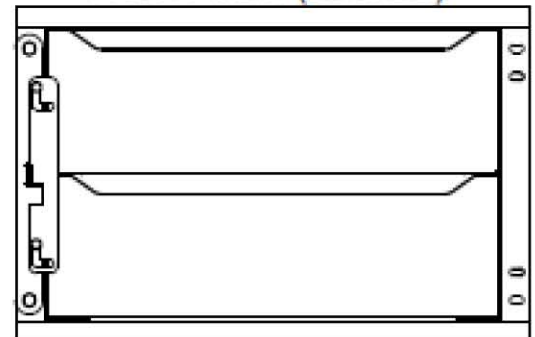
ITEM	QTY	DESCRIPTION
A	2	J-CLIP NUTS 1/4-20
B	6	Screw 1/4-20 x 3/4L
C	4	Nut 1/4-20 Elastic Stop
D	1	Lock Assembly

Masterack - Crown
 905 Memorial Dr. SE Atlanta, GA 30316
 P.O. Box 100055 Atlanta, GA 30348
 800/334-4183 404/525-5501
 FAX 404/659-9316
 e-mail: sales@masterack.com

UNLOCKED LOCKED



FRONT VIEW (LOCKED)



MOVE LOCK ARM UP AND THEN LEFT TO UNLOCK.