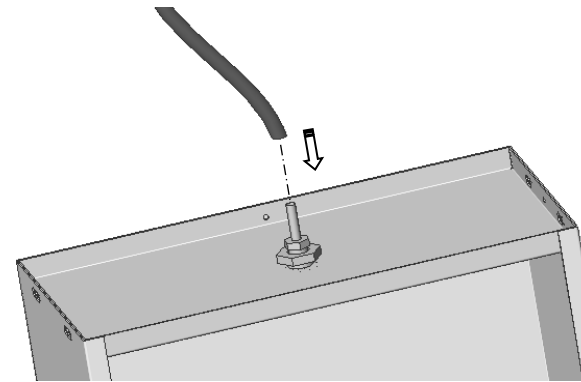
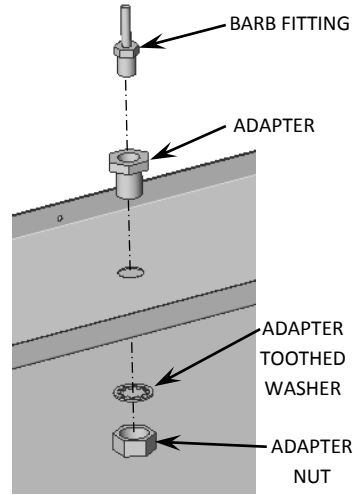
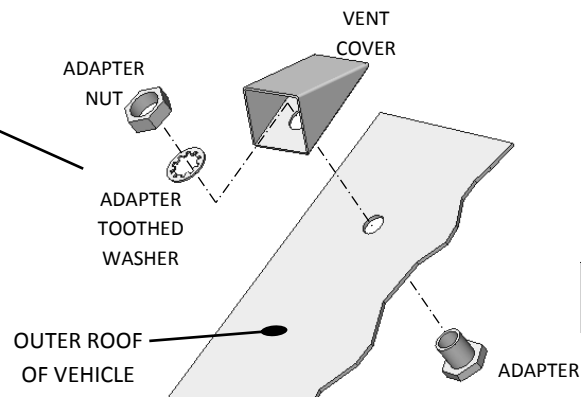
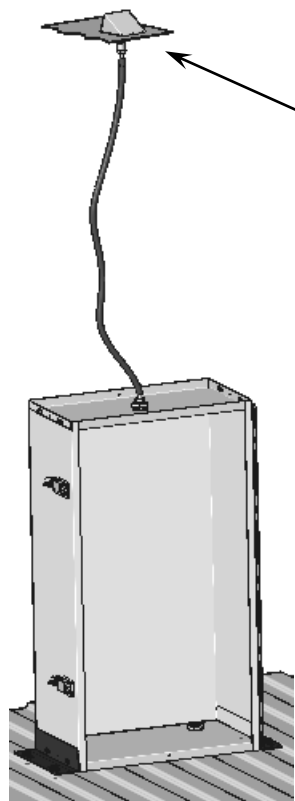


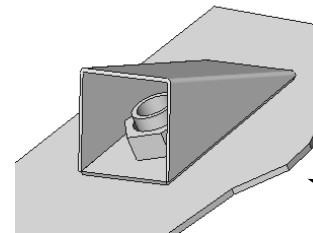
Drill a 3/4 hole in the top of cabinet to install top vent fitting.



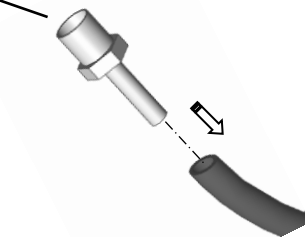
Slide Air Hose onto Barbed Fitting



Drill a 3/4 hole in the roof of vehicle to install top vent fitting and vent cover as shown here.



Screw into Adapter



Slide Air Hose onto Barbed Fitting